

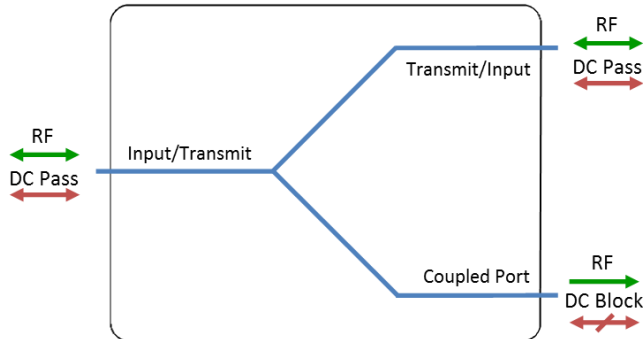


Model Number:
CPLxxKXP-4350

RF Components

Wideband Directional Coupler

6 -26.5 GHz



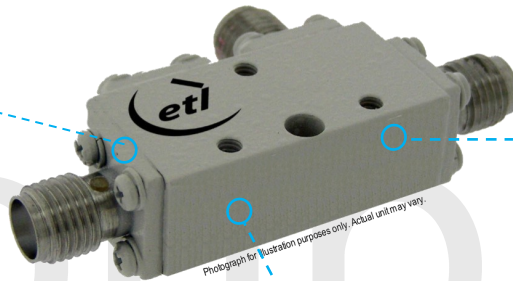
- Wide band 6-26.5 GHz
- 10 or 20 dB coupling

Available with RF connector options:

- 50 Ω 2.92mm female



6-26.5 GHz
Operating frequency range. L, S, C, X & Ku band ready.



Compact
Housed in rugged compact enclosure



Flexible Mounting
Through hole mounting options

RF Parameters			
CPLxxKXP-4350		K5K5K5	
Frequency Range		6-26.5 GHz	
RF Connectors		K-type 2.92mm	
Coupling Factor (dB)		10 \pm 1.0	20 \pm 1.0
Insertion loss* (dB)	Max.	1.0	1.0
Thru Line Flatness (dB)	Max.	\pm 1.0	\pm 1.0
Return Loss (dB) Thru line	Typ.	17	17
	Min	14	14
Return Loss (dB) Coupled port	Typ.	17	17
	Min	14	14
Directivity** (dB)	Min	12	13
* Excluding coupling loss			
**Directivity across frequency band will vary.			

Broadcast



Marine Oil & Gas



SNG & VSAT



Satellite Teleport





RF Components

Model Number:
CPLxxKXP-4349

Wideband 0.5-18 GHz 10 / 20 dB coupler

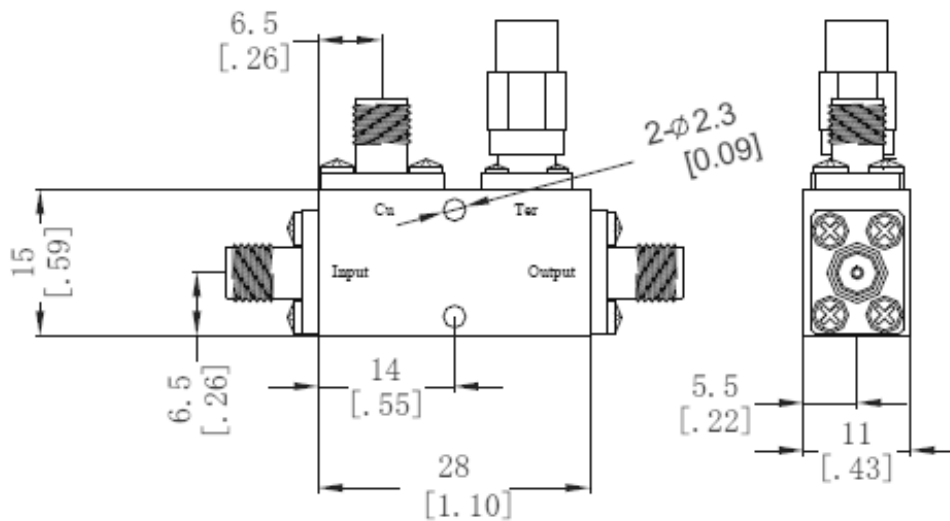
Technical specifications and operating parameters

Environmental		
Operating Temperature		-45°C to +85°C
Storage Temperature		-45°C to +85°C
Location		Indoor use Only
Humidity	Max	85% non-condensing
Altitude	Max	10,000 feet

Max Operating Parameters	
Input RF Power	+45 dBm 30W (forward)

! Operation beyond these limits may cause instantaneous and permanent damage.

Physical Dimensions (mm)



ETL SYSTEMS LIMITED
Coldwell Radio Station
Madley
Hereford
England HR2 9NE

TELEPHONE
+44 (0)1981 259020

EMAIL
info@etlsystems.com

FACSIMILE
+44 (0)1981 259021

WEB
www.etlsystems.com

